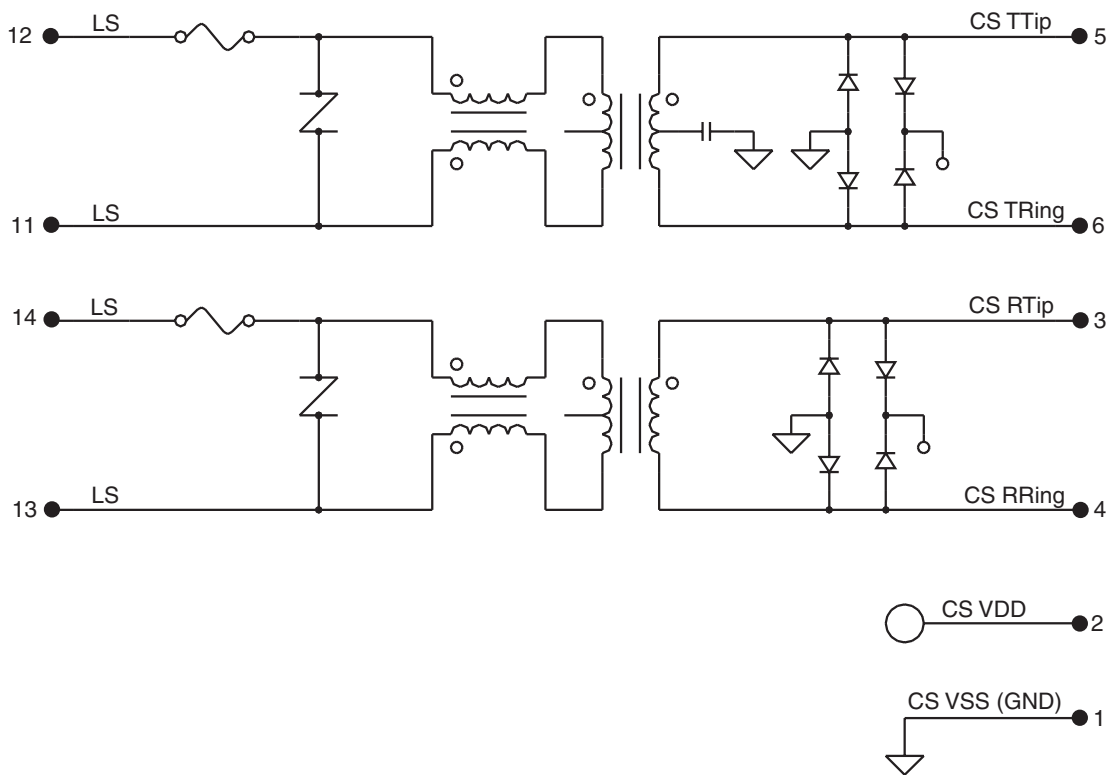


**“Slim Line” Hybrid for PMC Sierra**  
**0803-6500-01**

**FEATURES**

- Supports PMC Sierra PM4318 chipset for T1/E1 long and short haul applications,
- Minimum board space requirement - ideal for multiple interface line cards
- Metallic protection circuit designed to meet Telcordia GR1089 for 1st level and 2nd level lightning and power line cross events
- Designed to meet supplementary isolation 1500V, working voltage 250V of UL60950

**SCHEMATIC**



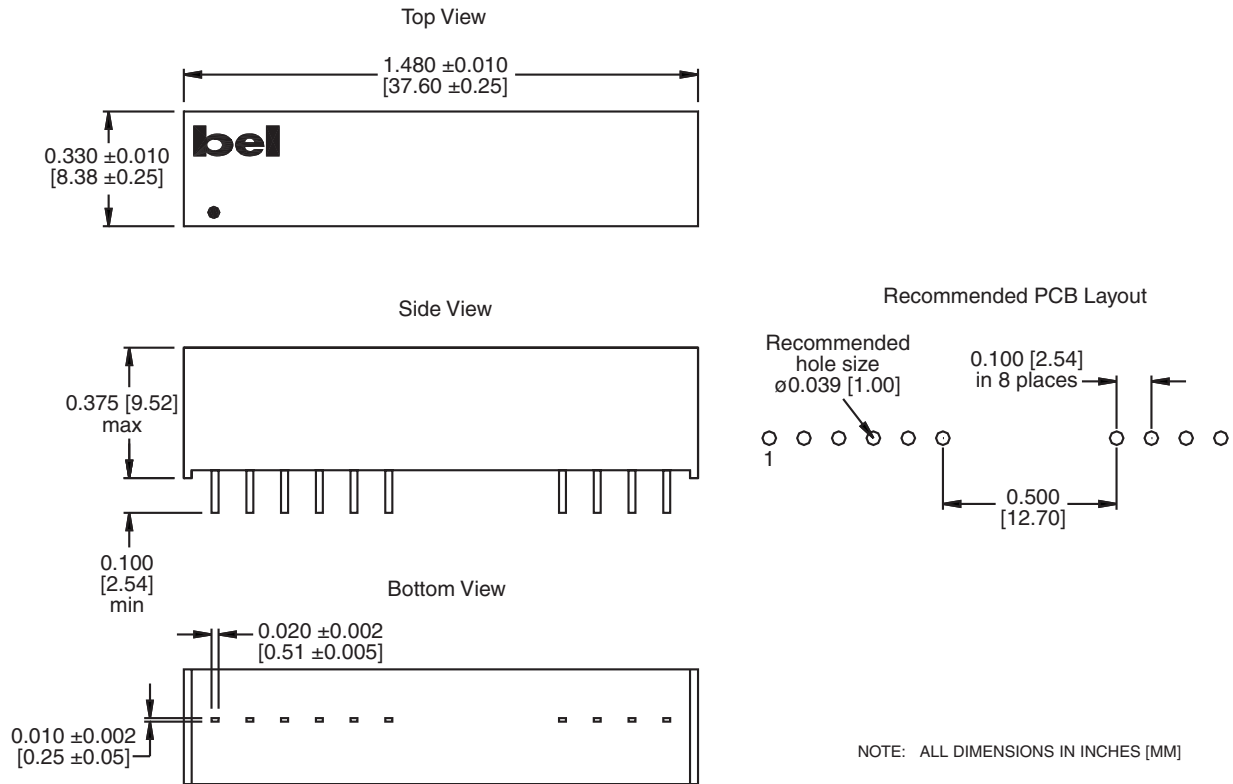


**“Slim Line” Hybrid for PMC Sierra**  
**0803-6500-01**

**SPECIFICATIONS @ 25° C**

Turns Ratio ±2%		OCL mH typ	DCR Ω max	Cw/w pF max	Crosstalk dB typ	CMR dB min	Isolation Vrms
TX	RX	Chip Side	Chip Side		0.5 - 10MHz	TX 1- 50MHz	
1 : 2	1 : 2	1.2	0.7	30	-60	-50	1500

**MECHANICAL**



©2004 Bel Fuse Inc. Specifications subject to change without notice. 03.04.04

**CORPORATE**

**Bel Fuse Inc.**  
 206 Van Vorst Street  
 Jersey City, NJ 07302  
 Tel 201-432-0463  
 Fax 201-432-9542  
 www.belfuse.com

**FAR EAST**

**Bel Fuse Ltd.**  
 8F / 8 Luk Hop Street  
 San Po Kong  
 Kowloon, Hong Kong  
 Tel 852-2328-5515  
 Fax 852-2352-3706  
 www.belfuse.com

**EUROPE**

**Bel Stewart Connector**  
 45/46 Riverside  
 Medway City Estate  
 Rochester, Kent ME2 4DP U.K.  
 Tel 44-1634-722890  
 Fax 44-1634-716677  
 www.belfuse.com